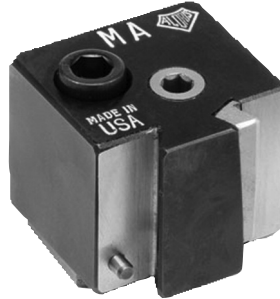


# ALORIS QUICK CHANGE TOOL POSTS

## Aloris Miniature (MA) Tool Post

Also on Page 26



Super precision single dovetail tool post designed for jewelers and miniature lathes. Three holders can hold six tools for various operations. Height adjustment is provided for each tool.

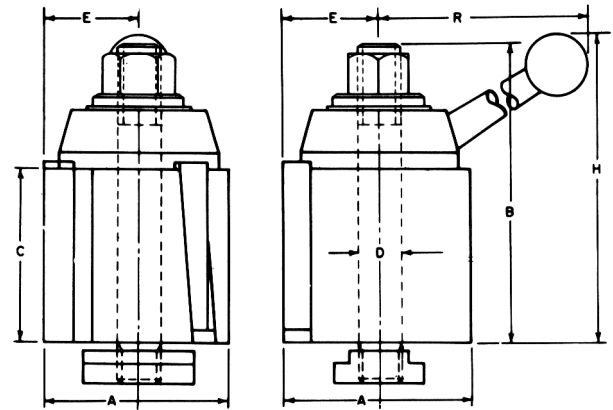
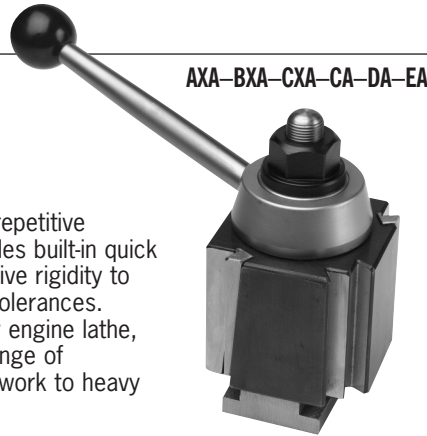
Tool holder capacity:  $\frac{1}{8}'' - \frac{3}{8}''$ .

Tool post dimensions:  $1\frac{1}{2}'' \times 1\frac{1}{2}'' \times 1\frac{1}{4}''$ .  
See page 26 for toolholders and pricing.

**ORDER #: MA \$197.00**

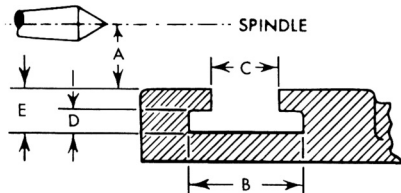
## Aloris Super-Precision Tool Post

Precision engineered to assure repetitive accuracy. Advanced design provides built-in quick tool changing versatility with positive rigidity to meet the most exacting working tolerances. Quickly and easily installed on any engine lathe, bench or CNC lathe, for a wide range of operations — from fine precision work to heavy duty cutting.



### ORDERING INFORMATION

AXA SERIES	BXA SERIES	CXA SERIES	CA SERIES	DA SERIES	EA SERIES																																																		
ORDER #: AXA \$357.00	ORDER #: BXA \$434.00	ORDER #: CXA \$592.00	ORDER #: CA \$745.00	ORDER #: DA \$1,052.00	ORDER #: EA \$1,662.00																																																		
DIMENSIONS		DIMENSIONS		DIMENSIONS		DIMENSIONS		DIMENSIONS		DIMENSIONS																																													
A	B	C	D	E	H	R	SWING UP TO	A	B	C	D	E	H	R	SWING UP TO	A	B	C	D	E	H	R	SWING UP TO	A	B	C	D	E	H	R	SWING UP TO	A	B	C	D	E	H	R	SWING UP TO																
2½	3¾	2¼	¾	1¾	4¼	5¾	12"	3	4¾	2¾	¾	1¾	5½	7¾	10-15"	3½	5¾	3	¾	1¾	6¾	7¾	13-18"	4	6¼	3¾	¾	2½	7	9	14-20"	5	7¾	4¾	1"	2¾	8¾	10¾	17-48"	6	8½	5	1¼	3¾	10	13¾									25° HWY DUTY & LARGER LATHES



MAKE OF LATHE	SWING	A	B	C	D	E

\*To order tool holders see page 4 thru 25. \*To order sets see pages 26 and 27.

\*All Aloris Super Precision Quick Change Tool Posts are furnished with a completely machined "T"-bolt to fit your machine at no charge. Please fill out chart and fax.

### POSTS: REPLACEMENT PARTS

Not Interchangeable with Indexable Tool Post Parts.

"T" BOLTS						
ORDER #	AXA-TB*	BXA-TB*	CXA-TB*	CA-TB*	DA-TB*	EA-TB*
PRICE EA.	\$49.25	\$52.80	\$68.75	\$81.75	\$102.00	\$112.85

BALLS						
ORDER #	AXA-BALL*	BXA-BALL*	CXA-BALL*	CA-BALL*	DA-BALL*	EA-BALL*
PRICE EA.	\$3.95	\$4.35	\$4.65	\$4.95	\$5.00	\$6.60

HANDLES						
ORDER #	AXA-HDL*	BXA-HDL*	CXA-HDL*	CA-HDL*	DA-HDL*	EA-HDL*
PRICE EA.	\$36.00	\$39.75	\$43.50	\$49.50	\$55.50	\$67.25

FLANGE NUTS						
ORDER #	AXA-FN*	BXA-FN*	CXA-FN*	CA-FN*	DA-FN*	EA-FN*
PRICE EA.	\$13.25	\$14.40	\$15.75	\$17.00	\$21.60	\$28.90