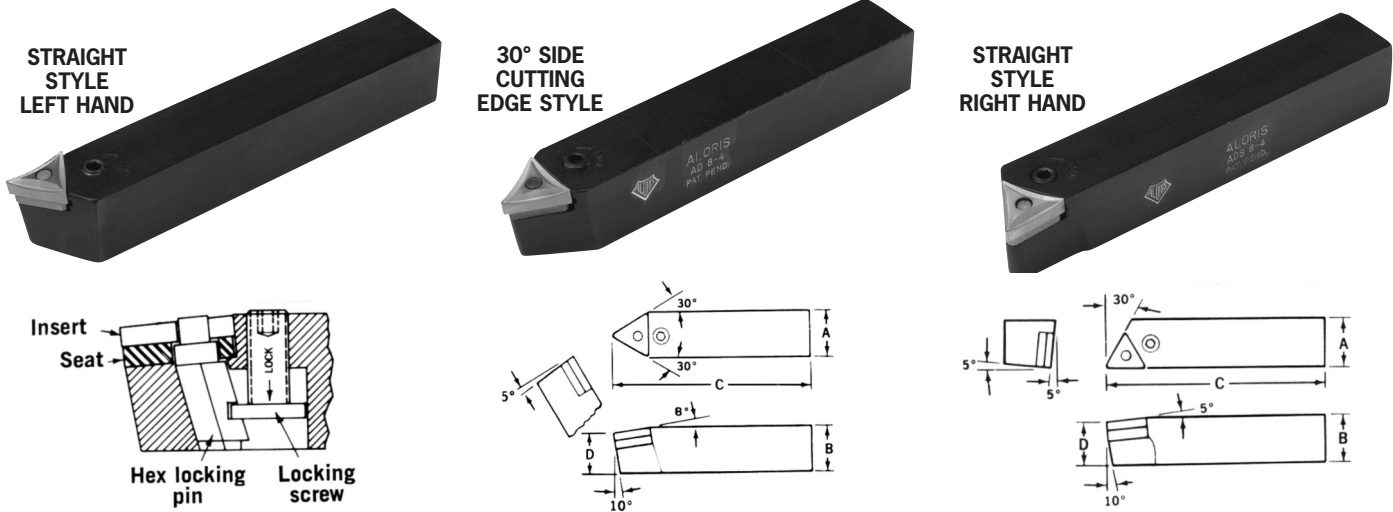


ALORIS DOUBLE-LOCK TOOL HOLDERS

AVAILABLE IN RIGHT OR LEFT HAND VERSIONS AND DESIGNED TO ACCEPT STANDARD INSERT.

A unique locking device exerts a two-way force on the carbide insert: downward and tight against shoulder to assure rigid, positive seating.



ORDERING INFORMATION										REPLACEMENT PARTS						
HOLDER ORDER #			HOLDER PRICE EA.	DIMENSIONS				INSERT SIZE			CARBIDE SEAT		HEX LOCK PIN		LOCK SCREW	
30° SIDE CUT	RIGHT	LEFT		A	B	C	D	I.C.	THICK	ORDER #	PRICE EA.	ORDER #	PRICE EA.	ORDER #	PRICE EA.	
AD5-3	ADS5-3	ADS5-3L	\$97.75	5/8	5/8	4 1/2	9/16	3/8	1/8	ST-1*	\$12.65	LP-1*	\$12.65	LS-1*	\$6.33	
AD6-3	ADS6-3	ADS6-3L	\$110.40	3/4	3/4	4 1/2	11/16	3/8	1/8	ST-1*	\$12.65	LP-1*	\$12.65	LS-1*	\$6.33	
AD8-4	ADS8-4	ADS8-4L	\$112.70	1"	1"	6"	15/16	1/2	3/16	ST-2*	\$13.80	LP-2*	\$13.23	LS-2*	\$8.05	
AD10-4	ADS10-4	ADS10-4L	\$112.70	1"	1 1/4	6"	1 3/16	1/2	3/16	ST-2*	\$13.80	LP-2*	\$13.23	LS-2*	\$8.05	
AD10-5	ADS10-5	ADS10-5L	\$123.05	1 1/4	1 1/4	7"	1 5/32	5/8	1/4	ST-3*	\$14.30	LP-3*	\$13.80	LS-3*	\$16.68	
AD12-5	ADS12-5	ADS12-5L	\$129.95	1"	1 1/2	8"	1 13/32	5/8	1/4	ST-3*	\$14.30	LP-3*	\$13.80	LS-3*	\$16.68	

CARBIDE INSERTS FOR DOUBLE-LOCK TOOL HOLDERS*

	DOUBLE-LOCK HOLDER #	DIMENSIONS			INSERT ORDER #*	GRADE	
		I.C.	T	R		A2/A6	767
STYLE TNMG 5° NEGATIVE 	AD5-3, ADS5-3, ADS5-3L, AD6-3, ADS6-3, ADS6-3L	3/8	3/16	1/32	TNMP-332*	\$8.54	\$12.35
	AD8-4, ADS8-4, ADS8-4L, AD10-4, ADS10-4, ADS10-4L	1/2	3/16	1/32	TNMG-432* TNMP-432*	\$12.13 \$10.23	\$17.19 \$15.84
STYLE TNMP 5° POSITIVE 	AD10-5, ADS10-5, ADS10-5L, AD12-5, ADS12-5, ADS12-5L	5/8	1/4	3/64	TNMG-543* TNMP-543*	\$20.81 \$16.31	\$28.27 \$24.74

*Inserts are priced individually, however, they must be purchased in packages of 10. **100 & up call for price.

See full selection of inserts on pages 49 – 54.