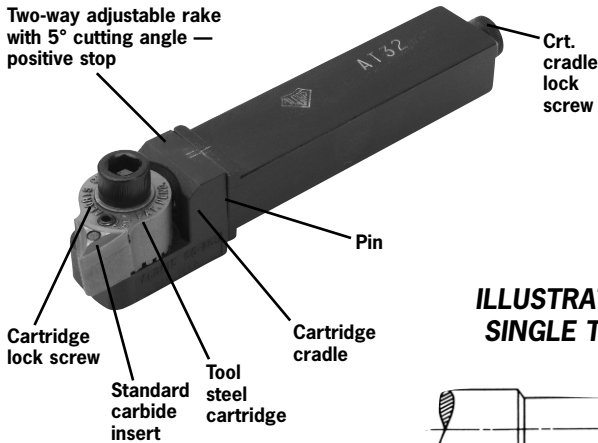


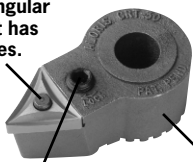
ALORIS ADJUSTABLE-SHANK TOOL HOLDERS

FOR LEFT OR RIGHT HAND TURNING, FACING OR CHAMFERING.

Two-way adjustable rake with 5° cutting angle — positive stop



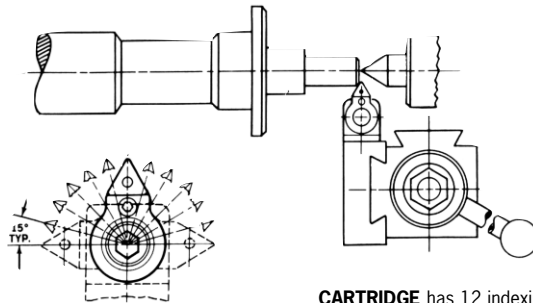
Standard triangular carbide insert has 6 cutting edges.



Exclusive positive lock with 2-way force holding insert down and tight against shoulder.

Tool Steel Cartridge adjuster every 15° for right or left hand turning facing or chamfering. 12 positive lock positions.

ILLUSTRATIONS SHOW WHAT ONE SINGLE TOOL CAN ACCOMPLISH

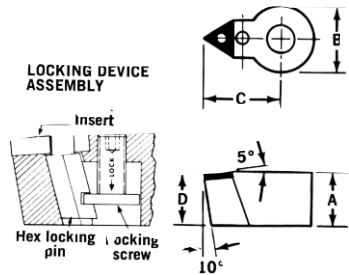
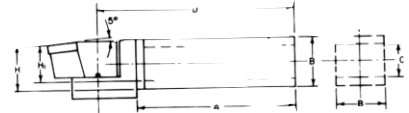


PICTORIAL DIAGRAM OF CARTRIDGE

The adjustable shank feature introduces added flexibility — turning the shank 90° permits choice of shank and cutting tool alignment. The cartridge, with its 12 indexing positions at 15° intervals, provides for many angular turning operations. See page 10 for cartridge details.

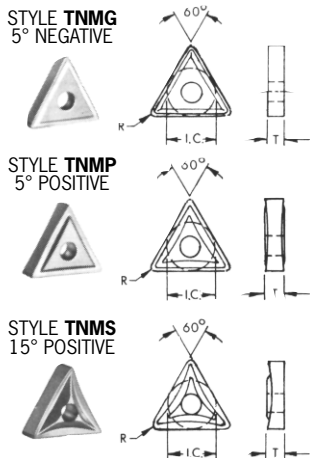
The two-way adjustable rake provides for right or left hand turning, facing and chamfering. Rake has 5° cutting angle with positive stop. Adjustment is made by loosening cradle lock screw and selecting desired setting.

CARTRIDGE has 12 indexing positions at 15° intervals. This means many angular turning and chamfering jobs can be done faster and easier.



ORDERING INFORMATION								REPLACEMENT PARTS							
HOLDER		DIMENSIONS						CARTRIDGE		HEX LOCKING PIN		LOCKING SCREW		CRADLES	
ORDER #	PRICE EA.	A	B	C	D	H	H ₁	ORDER #	PRICE EA.	ORDER #	PRICE EA.	ORDER #	PRICE EA.	ORDER #	PRICE EA.
AT-32	\$168.00	4"	1"	3/4"	4 7/8"	7/8"	3/4"	CRT-20*	\$50.00	LP-20*	\$ 9.00	LS-20*	\$4.50	CC-20S*	\$54.00
AT-40	\$198.00	4 1/2"	1 1/4"	1"	5 11/16"	1 1/16"	1 5/16"	CRT-30*	\$66.00	LP-30*	\$11.00	LS-30*	\$6.60	CC-30S*	\$57.00

CARBIDE INSERTS FOR ALORIS ADJUSTABLE-SHANK TOOL HOLDERS*



HOLDER #	CARTRIDGE #	DIMENSIONS			INSERT ORDER #	GRADE	
		I.C.	T	R		A2/A6	767
AT-32	CRT-20	3/8	3/16	1/32	TNMP-332 [†]	\$8.54	\$12.35
					TNMS-332 [†]	\$8.58	\$12.52
HOLDER #	CARTRIDGE #	DIMENSIONS			INSERT ORDER #	GRADE	
		I.C.	T	R		A2/A6	767
		AT-40	CRT-30	1/2		3/16	1/32
TNMS-432 [†]	\$12.75				\$17.84		
TNMP-432 [†]	\$10.23				\$15.84		

*Inserts are priced individually, however, they must be purchased in packages of 10. **100 & up call for price.

See full selection of inserts on pages 49 – 54.